


Recommended Opening Width 2' - 10' With Motor 3' - 12'				Recommended Opening Height Manual 2' - 10' Motor 3' - 12'		Recommended Maximum SQ FT. Motor 220		Curtain Weight 2.28 LBS SQ FT.		Profile Height 2.17"																																							
<b>ROLLAC</b> 										<b>Operator Options</b> Gear Motor Motor Override RTS Override Optional Motor / Remote Control			SecuraMax RLL55-X System Specification Wind and impact rated Florida Building Code (IBC) Texas Department of Insurance																																				
										<b>Housing Size (A) vs. FM Shutter Height</b>																																							
<table border="1"> <tr> <td>4</td><td>4.5</td><td>5</td><td>5.5</td><td>6</td><td>6.5</td><td>7</td><td>7.5</td><td>8</td><td>8.5</td><td>9</td><td>9.5</td><td>10</td><td>10.5</td><td>11</td><td>11.5</td><td>12</td><td>12.5</td> </tr> <tr> <td colspan="12"></td> <td>10</td><td colspan="6"></td><td>12</td> </tr> </table>												4	4.5	5	5.5	6	6.5	7	7.5	8	8.5	9	9.5	10	10.5	11	11.5	12	12.5													10							12
4	4.5	5	5.5	6	6.5	7	7.5	8	8.5	9	9.5	10	10.5	11	11.5	12	12.5																																
												10							12																														



**System Specification Sheets**  
 SecuraMax RLL55-X 55mm Slat Profile



# **ROLLAC** 2017

## **System Specifications**

VERSION 04.06.17

To place an order please call:

(888) 2-ROLLAC (276-5522)

For more information please call:

(281) 485-1911 (local)

To find out more about our company or our products,  
please visit our website: [www.rollac.com](http://www.rollac.com).

email: [architects@rollac.com](mailto:architects@rollac.com)

Copyright 2017, Rollac Shutter of Texas, Inc.

All rights reserved. No part of this catalog may be reproduced in any form or by any electronic or mechanical means, including the use of information storage and retrieval systems, without the express written permission from Rollac Shutter of Texas, Inc.

Certain portions of this catalog have been reprinted with the permission of the copyright owners who reserve all rights.



# System Specifications Table of Contents

## **Slat Specifications**

## **Operator Overview**

### **Drawing 1**

System Overview and Technical Specifications

### **Drawing 2**

System Overview and Technical Specification continued

### **Drawing 3**

Shutter Mounting Options Overview

### **Drawing 4**

DETAIL: Shutter Surface Mounting

### **Drawing 5**

DETAIL: Recess / Jamb Mounting

### **Drawing 6**

DETAIL: In Wall Mounting

### **Drawing 7**

DETAIL: Above Ceiling / Soffit Mount

### **Drawing 8**

Recommended Fastener Schedule

### **Drawing 9**

Motorized Operation Rolling Shutter Manual Override Options – Exploded Diagram

### **Drawing 10**

Gear Operation Rolling Shutter Options – Exploded Diagram

### **Drawing 11**

SecuraMax System Spec Sheet

### **Drawing 12**

Mounting Options for Rails

### **Drawing 13**

Exposed Base Slat Detail and Wall Mounting Bottom Stop Detail

### **Drawing 14**

Wall Mounting Side Rail Connections to wood and concrete walls

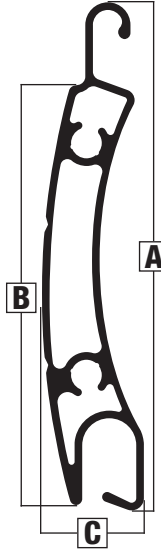
### **Drawing 15**

Common Terms used for Rolling Shutters and Shutter System Frames



# SecuraMax RLL55-X Double-Walled Extruded Slat

Heavy Duty Security / Storm Protection Solution



Slat Details		
Total Height (A)	2.59"	66 mm
Total Height (B)	2.17"	55 mm
Profile Width (C)	0.53"	13.5 mm
Wall Gauge	0.047"	1.19 mm
Weight	2.280 lbs/sqft	11.1 kg/sqm
Maximum Area	220 sqft	20.44 sqm
Operator Limitations - Slat Name		
Operator	Max sqft	Max sqm
Pulley (25 lbs)	11 sqft	1.02 sqm
Strap Crank (60 lbs)	26 sqft	2.42 sqm
Gear Crank (71 lbs)	31 sqft	2.88 sqm
Gear Assist (110 lbs)	48 sqft	4.46 sqm
Motor 60mm Axle (194 lbs)	85 sqft	7.90 sqm
Motor 70mm Axle (352 lbs)	154 sqft	14.31 sqm
T8 Motor 100mm Axle (450 lbs)	220 sqft	20.44 sqm

Color Availability		
	Curtain Colors	Frame Colors
White	•	•
Cream	•	•
Beige	•	•
Bronze	•	•
Brown		•
Grey		•
Arcona Beige		•
Anodized Silver	•	
Metallic		•

Slat Details		
<ul style="list-style-type: none"> <li>• Double Walled hollow extruded aluminum</li> <li>• Gauge 1.19 mm / 0.047"</li> <li>• Type 6005-T5, class1 anodized or powder coated finish.</li> <li>• Only available without light slits</li> <li>• Solar heat gain coefficient &amp; U values available upon request</li> </ul>		

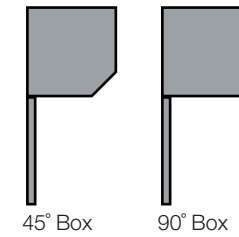
Sidelocks (Inserts for Other Profiles)		
9451	Wire Clips	EA
Screws Rollac 1000	For Use with ER-55	EA

Standard Side Rail - Maxi
63 mm x 27 mm (2.50" x 1.06")
Anodized Silver, Cream, White, Grey, Light Beige, Bronze, Dark Brown, Arcona Beige

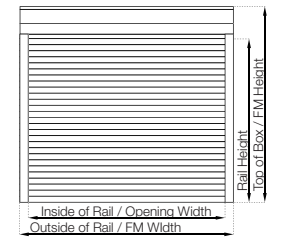
Aluminum Base Slat for Maxi Slats
Anodized Silver, Cream, White, Grey, Light Beige, Bronze, Dark Brown, Arcona Beige

Slat Deduction for Shutter Manufacturing - Regular Rails		
Small Leg 45° & 90° 4"-10"	Large Leg 45° 10", 12"	Wire Clip
7.1 cm / 3 <sup>13</sup> / <sub>16</sub> "	8.5 cm / 3 <sup>3</sup> / <sub>8</sub> "	#9451

### Box Housing Shape



### Shutter Dimension Diagram

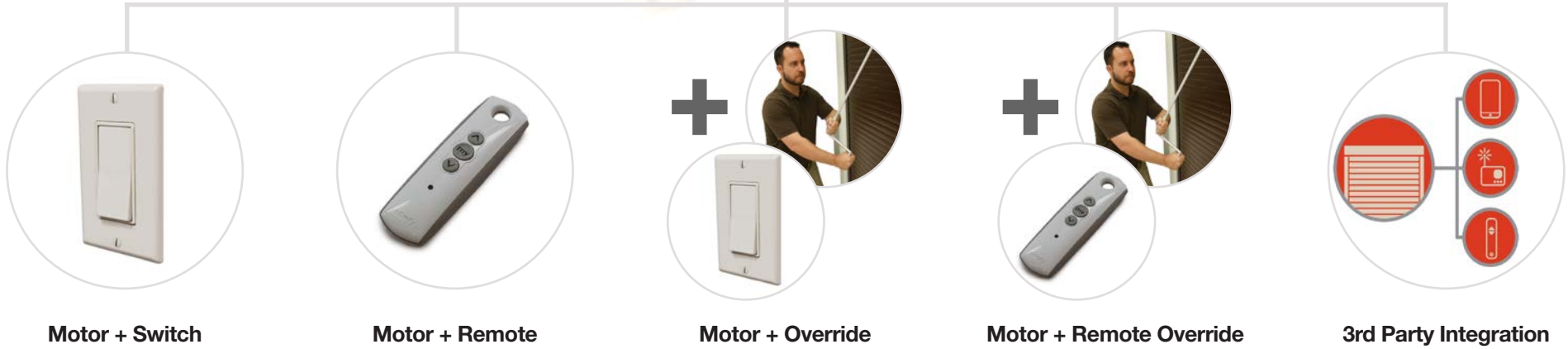


Rail Height By Housing Size									
Box Size	7" (180 mm)			8" (205 mm)			9" (230 mm)		
Axle	60 mm	70 mm	100 mm	60 mm	70 mm	100 mm	60 mm	70 mm	100 mm
RLL55-X	42"	42"	N/A	63"	59"	N/A	84"	80"	69"
Box Size	10" (250 mm)			12" (300 mm)			14" (350 mm)		
Axle	60 mm	70 mm	100 mm	60 mm	70 mm	100 mm	60 mm	70 mm	100 mm
RLL55-X	111"	100"	87"	152"	152"	137"	226"	226"	204"



# Operator Overview

Motorized Options



Each Option Includes Motorized Operation





## Operator Overview

Manual Options

---



**Recoil Box**



**Crank Box**



**Push / Pull System**

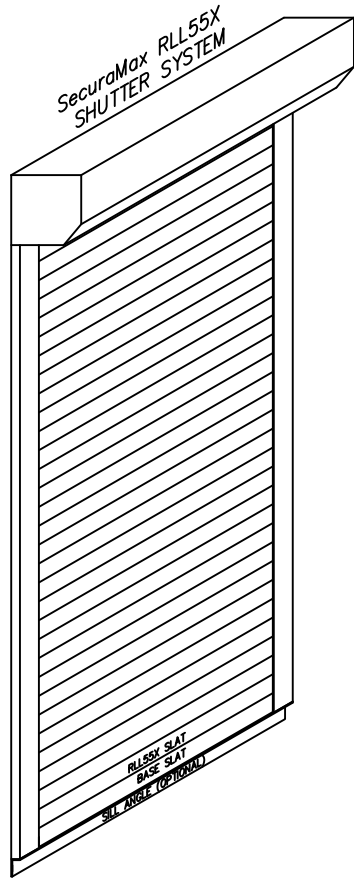


**Gear Drive / Crank Handle**



# The SecuraMax RLL55X - Shutter System

## System Overview and Technical Specifications

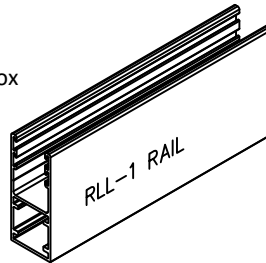
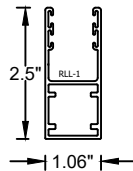


• Available Colors:

Curtain	Frame
White	White
Beige (Light Beige)	Beige (Light Beige)
Cream	Cream
Anodized	Metallic
Bronze	Bronze
	Arcona Beige (Dark Beige)
	Dark Brown
	Grey

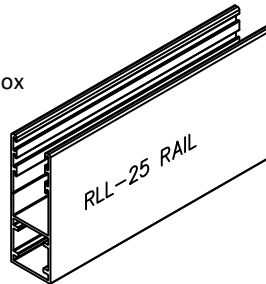
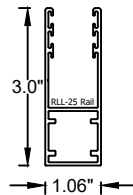
• Available Rail Sizes:

- Standard 2.5"
- For 7 - 10" Shutter Box

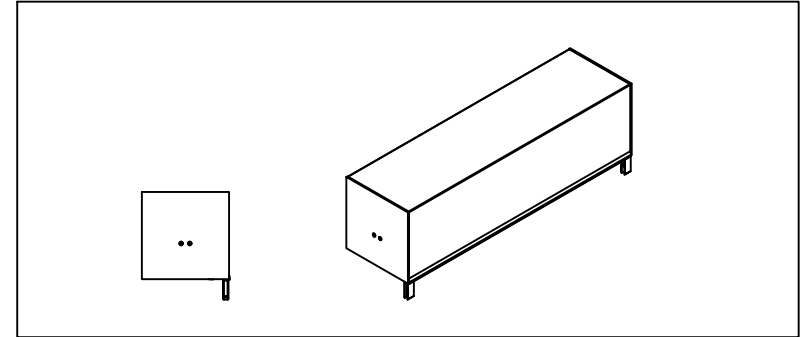


• Available Rail Sizes:

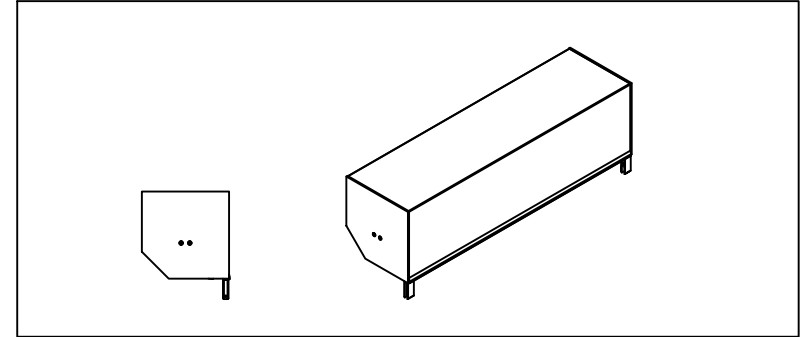
- Optional 3.0"
- For 7 - 10" Shutter Box



• Available Housing Design Choices - Side Cap 90°



• Available Housing Design Choices - Side Cap 45°

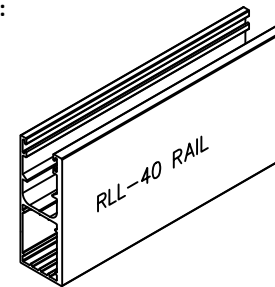
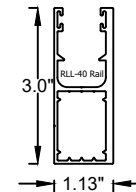


• Florida Building Code Approved FL15093.1

• Texas Department of Insurance Approved SHU 203

• Available Rail Sizes:

- Optional 3.0"
- For 12" Shutter Box



<p>Copyright © 2017 Rollac V2.28.2017</p> <p>ROLLAC ROLLING SHUTTERS 5331 W. ORANGE ST. PEARLAND, TX 77581 TEL: 281-485-1911 WWW.ROLLAC.COM</p>	NAME	DATE	PROJECT:	
	DRAWN	TRAVIS E.	2017/03/27	DESCRIPTION: SYSTEM SPECIFICATION SHEETS FOR RLL55X SHUTTER SYSTEM.
	CHECKED	STEFAN P.	2017/03/27	
	APPR.		YYYY/MM/DD	
UNLESS OTHERWISE SPECIFIED DIMENSIONS ARE IN INCHES				
ANGLES	± .5	± .1	± .03	± .005
THIRD ANGLE PROJECTION			SIZE DWG. NO. <b>A</b> RLL55X <b>A</b>	
SCALE: NONE			WEIGHT: XX.XLBS	
			1 OF 15	

• **Required Minimum and Maximum Dimensions for Operators**

Manual System Min and Max Dimensions	
System Width	2' - 10'
System Height	2' - 10'
Maximum System SQFT	50 sqft

Motorized Systems Min and Max Dimensions	
System Width	3' - 12'
System Height	3' - 12'
Maximum System SQFT	220 sqft

\*The system specifications and information herein are based on the dimensional recommendations. If a system requires dimensions outside the scope of these technical recommendations, special engineering and installations may be required. Always consult with Rollac first.

System Weight	
Approximate Systems Weight	4.56 lbs / sqft
Curtain Weight	2.28 lbs / sqft
Profile Height	2.17"

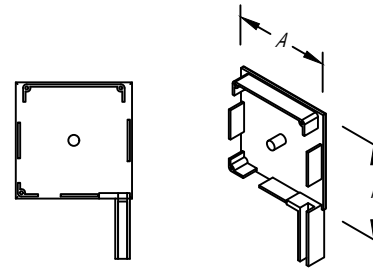
# The SecuraMax RLL55X - Shutter System

## System Overview and Technical Specifications

• **Available Operators and SQFT Limitations**

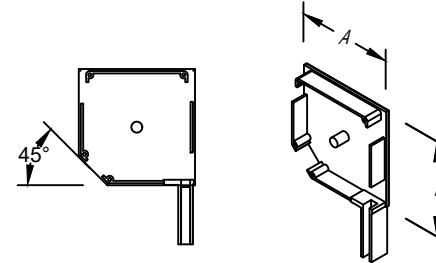
Operator System Dimensions	Max SQFT
Gear	30 sqft
Gear + Assist Spring	50 sqft
Motor Regular Switch	120 sqft
Motor with Over Ride	120 sqft
Motor with Remote Control	220 sqft
Motor with Remote Control and Over Ride	220 sqft

**Dimensions of Side Cap 90°**



Dimensions of Side Caps - 90°	
Box	A
5.0" (125mm)	4.72" (120mm)
5.5" (137mm)	5.20" (132mm)
6.0" (150mm)	5.71" (145mm)
6.5" (165mm)	6.30" (160mm)
7.0" (180mm)	6.89" (175mm)
8.0" (205mm)	7.87" (200mm)
9.0" (230mm)	8.86" (225mm)
10.0" (250mm)	9.65" (245mm)

**Dimensions of Side Cap 45°**

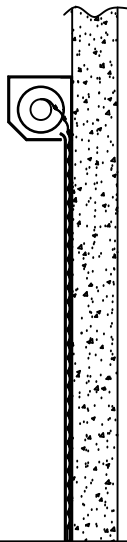


Dimensions of Side Caps - 45°	
Box	A
5.0" (125mm)	4.72" (120mm)
5.5" (137mm)	5.20" (132mm)
6.0" (150mm)	5.71" (145mm)
6.5" (165mm)	6.30" (160mm)
7.0" (180mm)	6.89" (175mm)
8.0" (205mm)	7.87" (200mm)
9.0" (230mm)	8.86" (225mm)
10.0" (250mm)	9.65" (245mm)

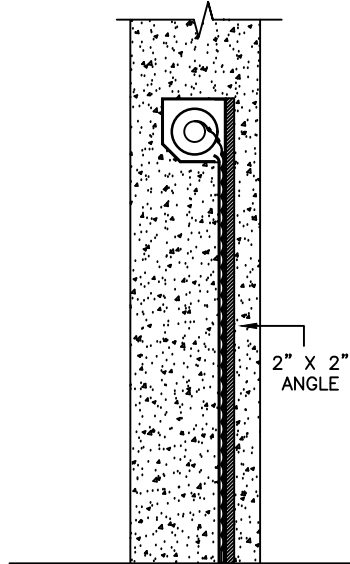
<p>Copyright © 2017 Rollac V2.28.2017</p> <p>ROLLAC ROLLING SHUTTERS 5331 W. ORANGE ST. PEARLAND, TX 77581 TEL: 281-485-1911 WWW.ROLLAC.COM</p>	NAME	DATE	PROJECT:	
	DRAWN	TRAVIS E.	2017/03/27	DESCRIPTION: SYSTEM SPECIFICATION SHEETS FOR RLL55X SHUTTER SYSTEM.
	CHECKED	STEFAN P.	2017/03/27	
	APPR.	YYYY/MM/DD		SIZE DWG. NO.
UNLESS OTHERWISE SPECIFIED DIMENSIONS ARE IN INCHES			A	
ANGLES	.X	.XX	.XXX	REV
± .5	± .1	± .03	± .005	A
THIRD ANGLE PROJECTION			SCALE: NONE	WEIGHT: XX.XLBS
			2 OF 15	



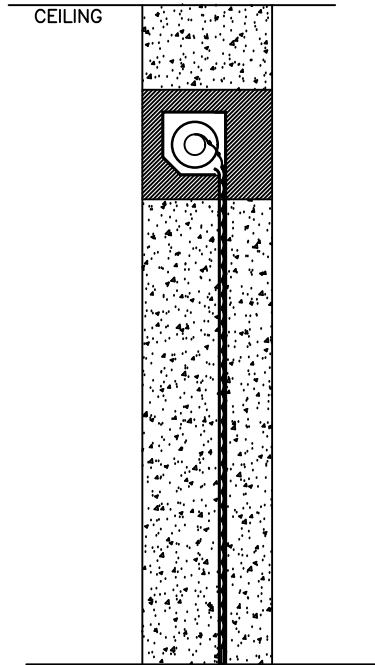
# SHUTTER MOUNTING OPTIONS



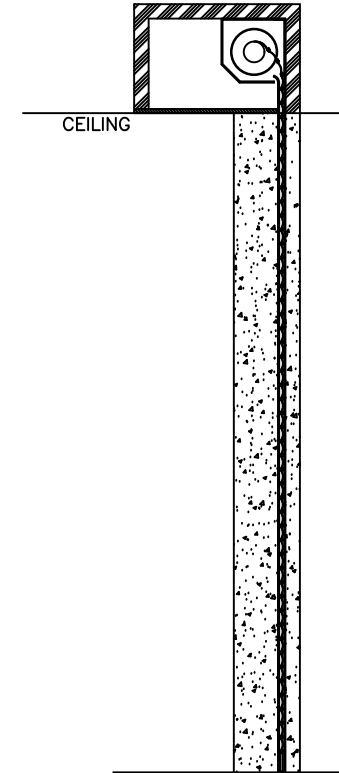
**SURFACE MOUNT**  
SEE PAGE # 4  
FOR DETAILS



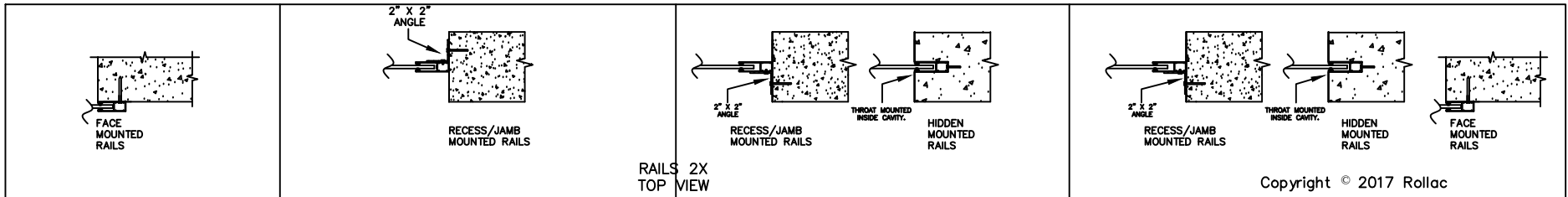
**RECESS/JAMB MOUNT**  
SEE PAGE # 5  
FOR DETAILS



**INWALL MOUNT**  
SEE PAGE # 6  
FOR DETAILS

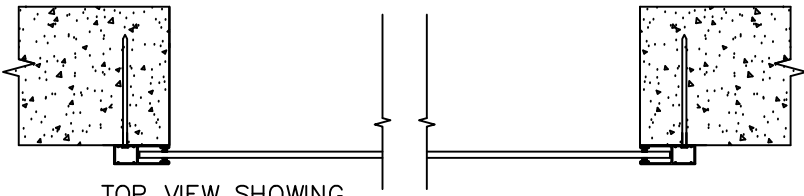


**ABOVE CEILING/SOFFIT MOUNT**  
SEE PAGE # 7  
FOR DETAILS

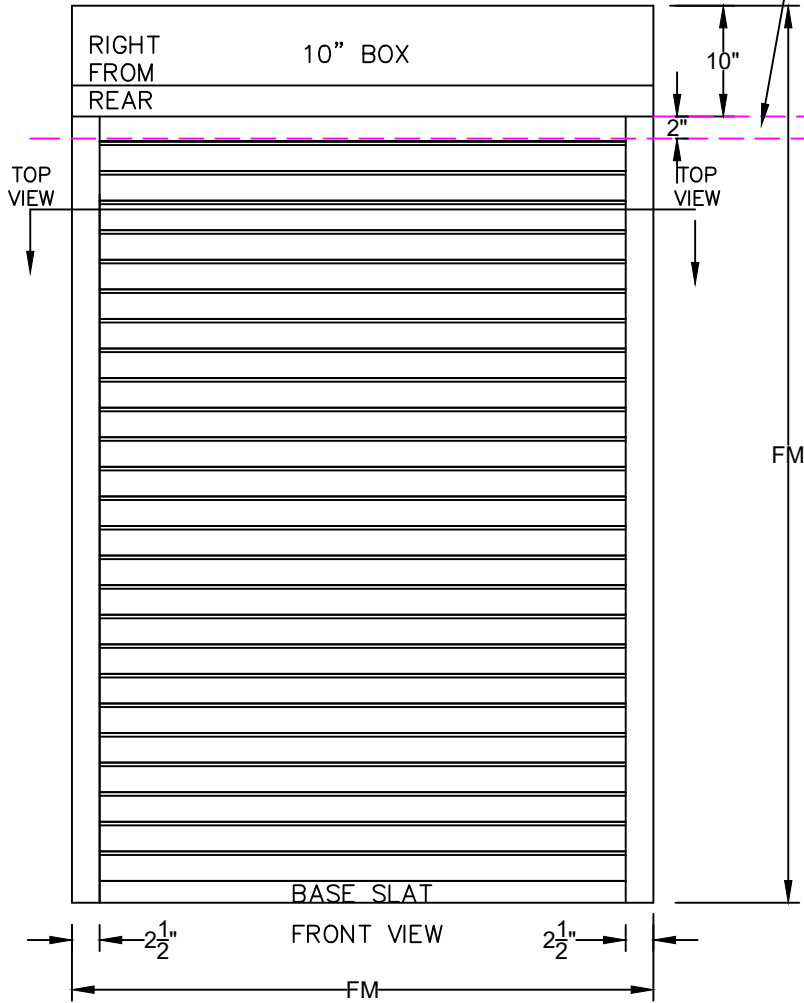


## RAIL MOUNTING OPTIONS BY SHUTTER MOUNT METHODS

<p>Copyright © 2017 Rollac V2.28.2017</p> <p>ROLLAC ROLLING SHUTTERS 5331 W. ORANGE ST. PEARLAND, TX 77581 TEL: 281-485-1911 WWW.ROLLAC.COM</p>	NAME	DATE	PROJECT:				
	DRAWN	TRAVIS E.	2017/03/27	DESCRIPTION: SYSTEM SPECIFICATION SHEETS FOR RLL55X SHUTTER SYSTEM.			
	CHECKED	STEFAN P.	2017/03/27				
	APPR.		YYYY/MM/DD				
UNLESS OTHERWISE SPECIFIED DIMENSIONS ARE IN INCHES			SIZE DWG. NO.				
ANGLES	± .5	± .1	± .03	± .005	<b>A</b>	<b>RLL55X</b>	<b>A</b>
THIRD ANGLE PROJECTION			SCALE: NONE	WEIGHT: XX.XLBS	3 OF 15		



TOP VIEW SHOWING CURTAIN AND RAILS. SCALE = 2X



# SHUTTER SURFACE MOUNT

ALLOW 2" FOR BASE SLAT HANG

-2X BOX SIZE-

\*\*OPERATOR DETAILS

J-BOX FOR ELECTRICAL CONNECTION (MOTOR)

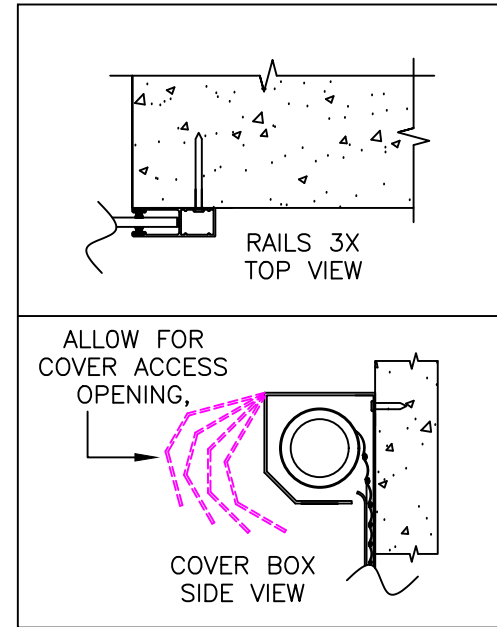
\*\*OPERATOR DETAILS TO BE SPECIFIED DURING DETAILED PLANNING.

ALLOW FOR COVER SWING.

\*SEE SURFACE MOUNT DETAIL

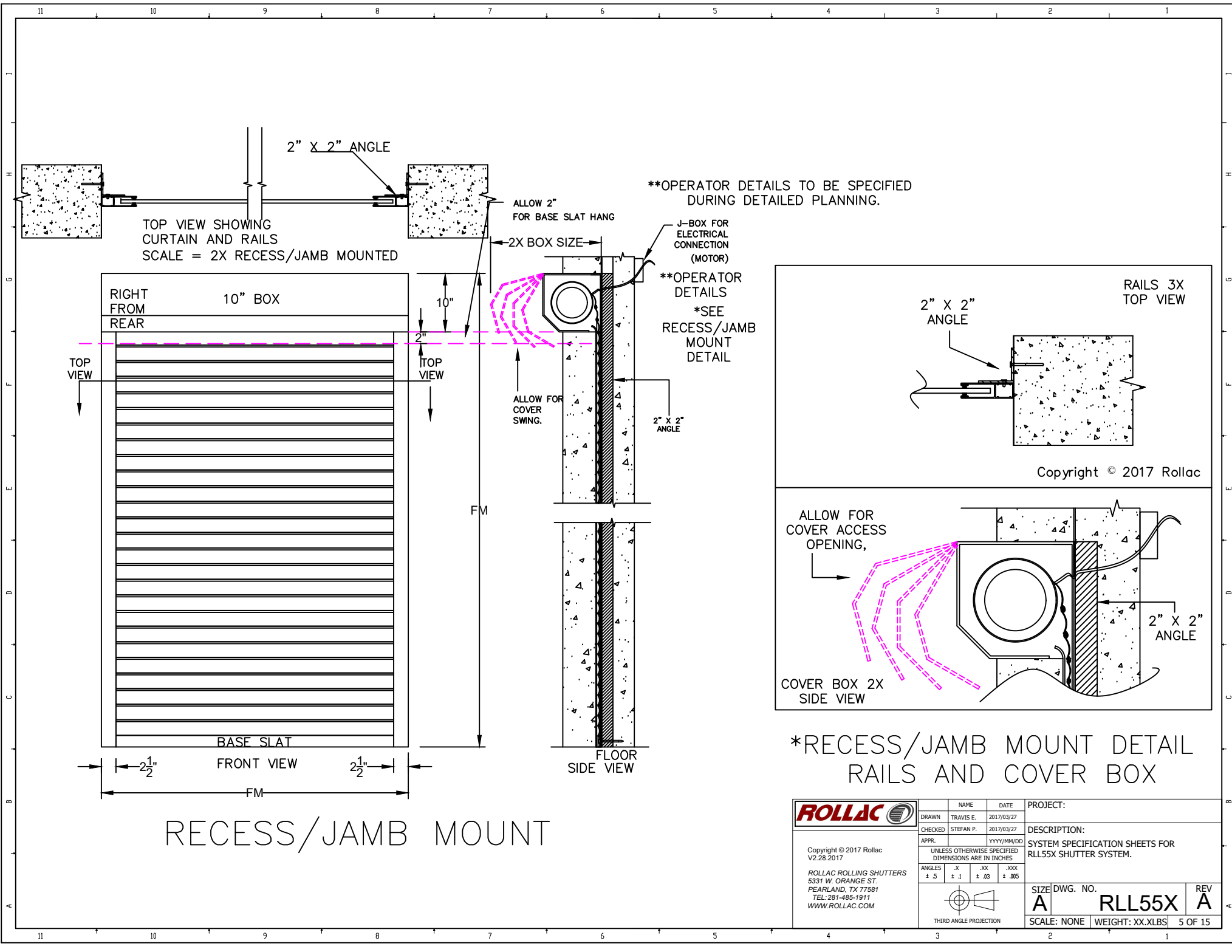
FM

FLOOR SIDE VIEW



\*SURFACE MOUNT DETAIL  
RAILS AND COVER BOX  
Copyright © 2017 Rollac

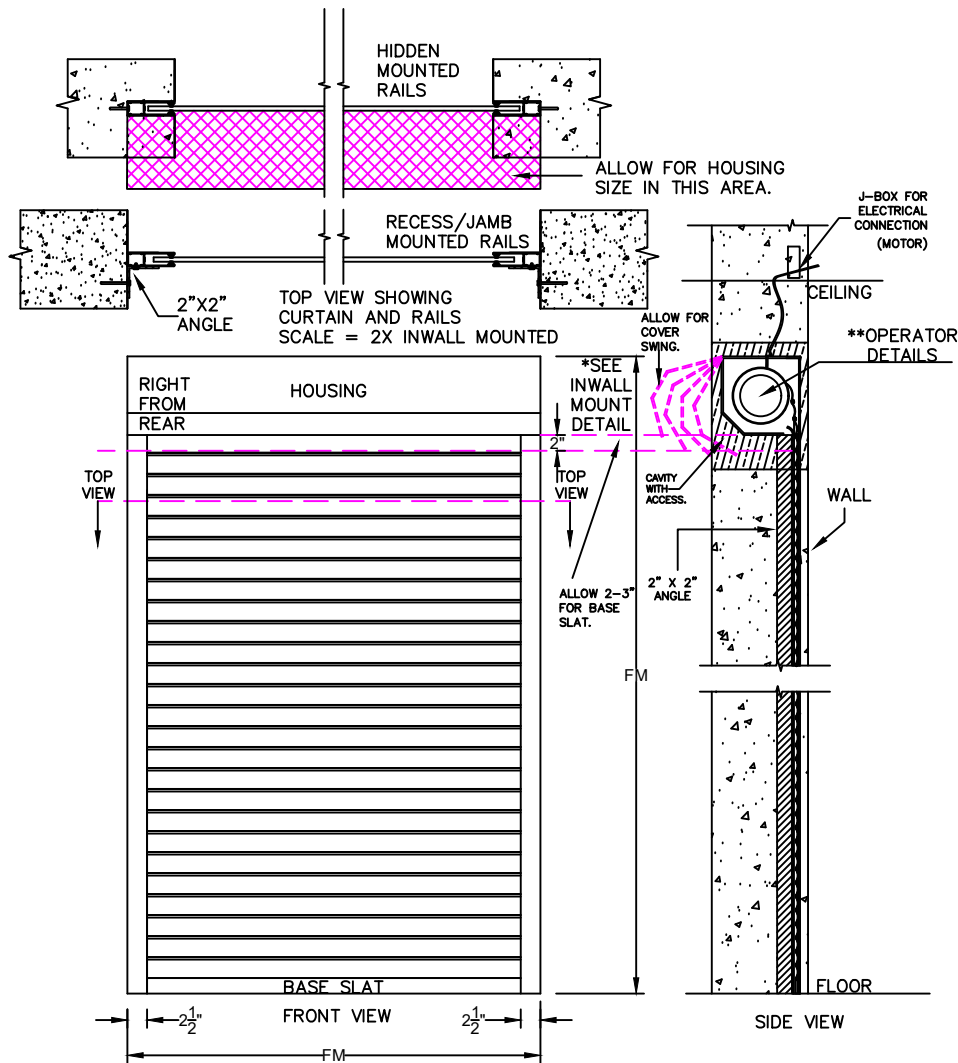
<p>Copyright © 2017 Rollac V2.28.2017</p> <p>ROLLAC ROLLING SHUTTERS 5331 W. ORANGE ST. PEARLAND, TX 77581 TEL: 281-485-1911 WWW.ROLLAC.COM</p>	NAME	DATE	PROJECT:	
	DRAWN	TRAVIS E.	2017/03/27	DESCRIPTION: SYSTEM SPECIFICATION SHEETS FOR RLL55X SHUTTER SYSTEM.
	CHECKED	STEFAN P.	2017/03/27	
	APPR.		YYYY/MM/DD	
UNLESS OTHERWISE SPECIFIED DIMENSIONS ARE IN INCHES				
ANGLES	X ± .5	.XX ± .1	.XXX ± .03	REV
<p>THIRD ANGLE PROJECTION</p>			SIZE DWG. NO. <b>A</b> <b>RLL55X</b>	<b>A</b>
SCALE: NONE			WEIGHT: XX.XLBS	4 OF 15



\*RECESS/JAMB MOUNT DETAIL  
RAILS AND COVER BOX

<p>Copyright © 2017 Rollac V2.28.2017</p> <p>ROLLAC ROLLING SHUTTERS 5331 W. ORANGE ST. PEARLAND, TX 77581 TEL: 281-485-1911 WWW.ROLLAC.COM</p>	NAME	DATE	PROJECT:		
	DRAWN	TRAVIS E.	2017/03/27	DESCRIPTION: SYSTEM SPECIFICATION SHEETS FOR ROLL5X SHUTTER SYSTEM.	
	CHECKED	STEFAN P.	2017/03/27		
	APPR.		YYYY/MM/DD		
UNLESS OTHERWISE SPECIFIED DIMENSIONS ARE IN INCHES			REV		
ANGLES	.X ± .5	.XX ± 1	.XXX ± .03	.XXX ± .005	SIZE DWG. NO. <b>A</b> <b>ROLL5X</b> <b>A</b>
THIRD ANGLE PROJECTION			SCALE: NONE   WEIGHT: XX.XLBS   5 OF 15		

# INWALL MOUNT SHUTTER RAILS CAN BE MOUNTED HIDDEN OR RECESS/JAMB MOUNTED

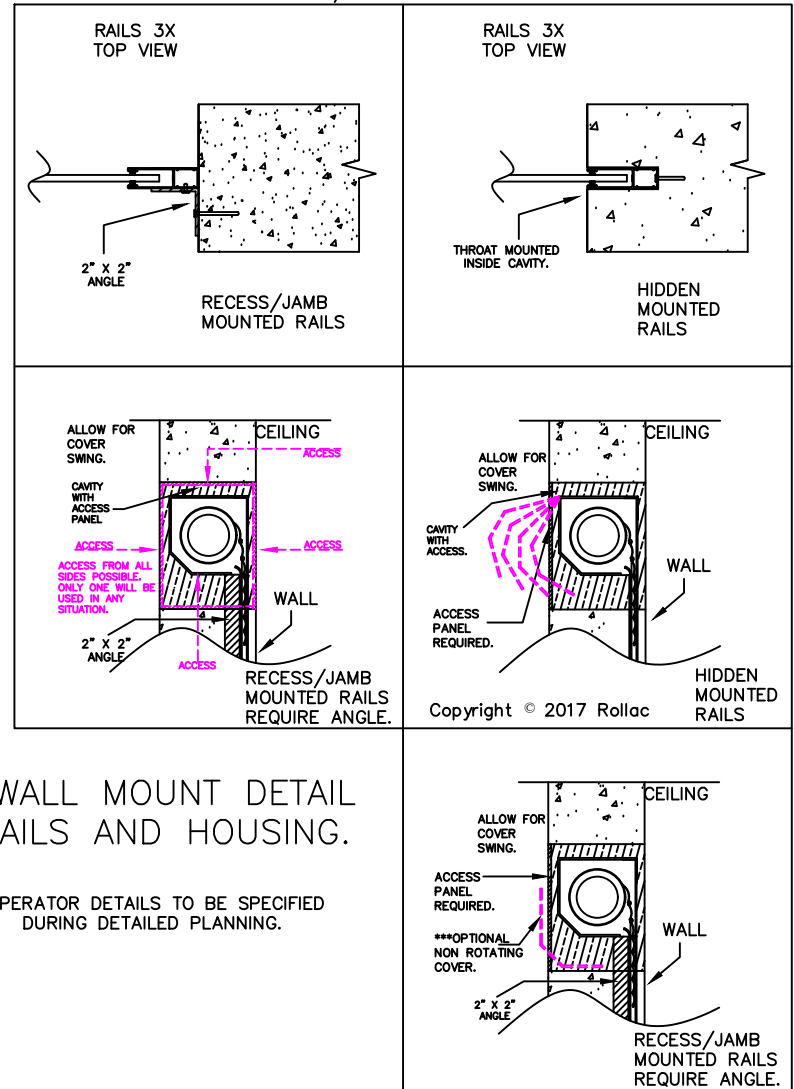


## INWALL MOUNT

INWALL MOUNTED SHUTTERS ARE USUALLY MOUNTED INSIDE A CAVITY WITHIN THE HEADER ABOVE THE OPENING.

AN ACCESS PANEL WILL HAVE TO BE PROVIDED TO ENABLE INSTALLATION AND SERVICE. ACCESS CAN BE FROM EITHER SIDE, TOP OR BOTTOM. ACCESS TO BE DETERMINED DURING DETAIL SPECIFICATION.

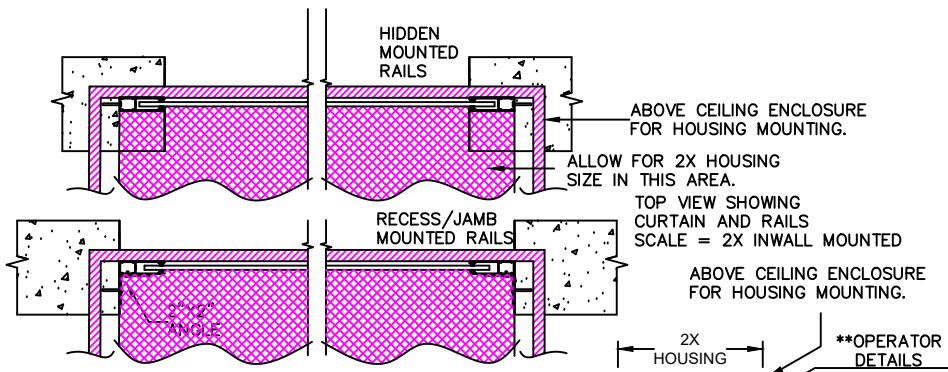
THE OPTIONAL NON ROTATING COVER ALLOWS EASIER ACCESS INSIDE THE ACCESS PANEL IN SOME INSTALLATIONS. CONTACT ROLLAC FOR MORE DETAILS.



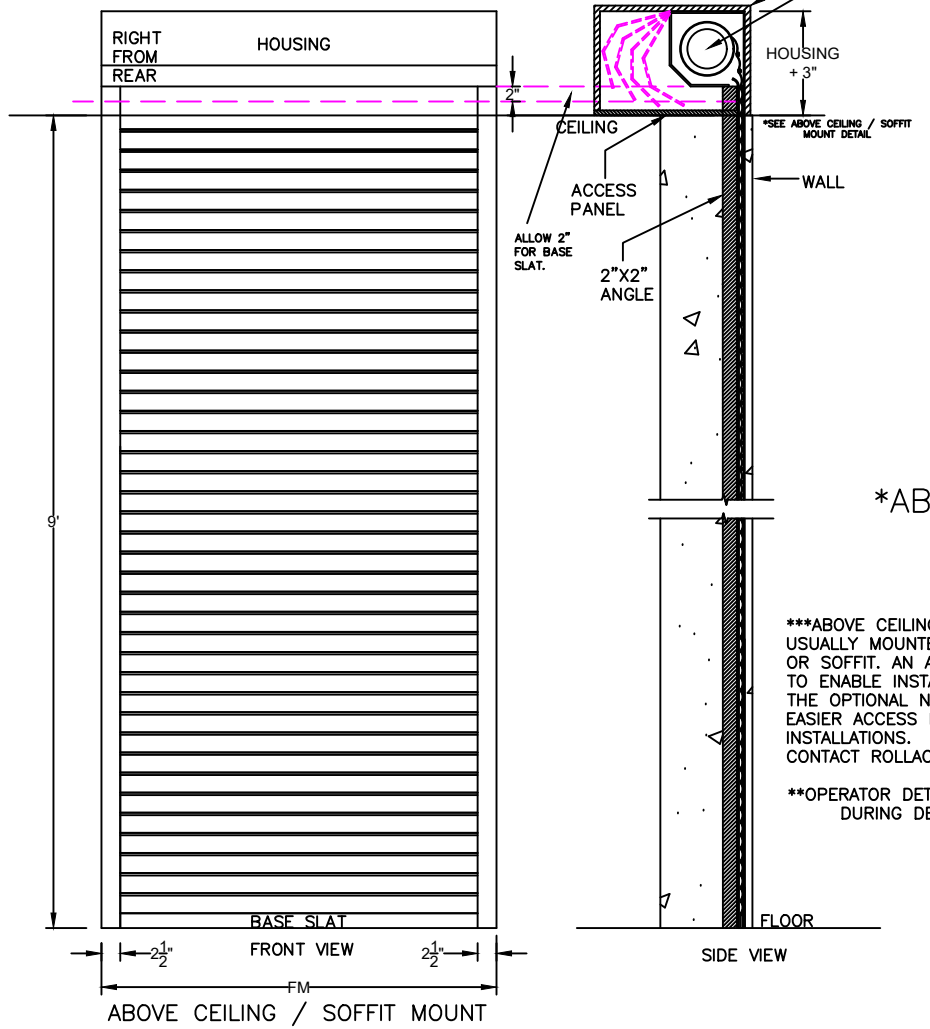
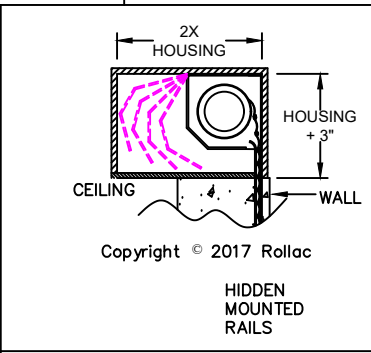
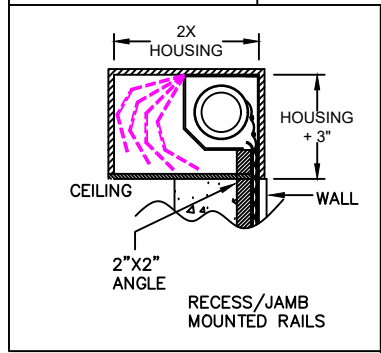
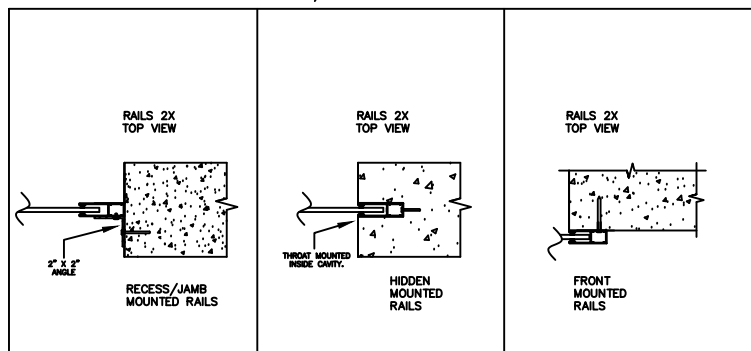
\*INWALL MOUNT DETAIL  
RAILS AND HOUSING.

\*\*OPERATOR DETAILS TO BE SPECIFIED  
DURING DETAILED PLANNING.

<p>Copyright © 2017 Rollac V2.28.2017</p> <p>ROLLAC ROLLING SHUTTERS 5331 W. ORANGE ST. PEARLAND, TX 77581 TEL. 281-485-1911 WWW.ROLLAC.COM</p>	NAME	DATE	PROJECT:																
	DRAWN	TRAVIS E.	2017/03/27	DESCRIPTION: SYSTEM SPECIFICATION SHEETS FOR RLL55X SHUTTER SYSTEM.															
	CHECKED	STEFAN P.	2017/03/27																
	APPR.		YYYY/MM/DD																
UNLESS OTHERWISE SPECIFIED DIMENSIONS ARE IN INCHES			SIZE DWG. NO.																
<table border="1"> <tr> <td>ANGLES</td> <td>X</td> <td>XX</td> <td>XXX</td> </tr> <tr> <td></td> <td>+ .5</td> <td>+ .1</td> <td>+ .03 ± .005</td> </tr> </table>			ANGLES	X	XX	XXX		+ .5	+ .1	+ .03 ± .005	<table border="1"> <tr> <td>A</td> <td>RLL55X</td> <td>REV</td> <td>A</td> </tr> <tr> <td>SCALE:</td> <td>NONE</td> <td>WEIGHT:</td> <td>XX.XLBS</td> </tr> </table>	A	RLL55X	REV	A	SCALE:	NONE	WEIGHT:	XX.XLBS
ANGLES	X	XX	XXX																
	+ .5	+ .1	+ .03 ± .005																
A	RLL55X	REV	A																
SCALE:	NONE	WEIGHT:	XX.XLBS																
<p>THIRD ANGLE PROJECTION</p>			6 OF 15																



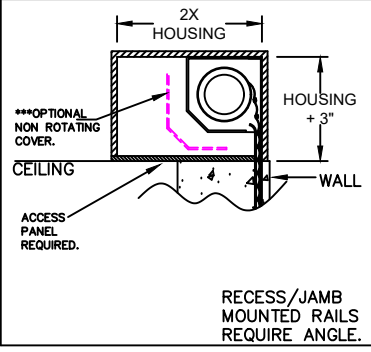
ABOVE CEILING / SOFFIT MOUNT SHUTTER RAILS CAN BE FRONT MOUNTED, HIDDEN OR RECESS/JAMB MOUNTED.



\*ABOVE CEILING / SOFFIT MOUNT DETAIL RAILS AND HOUSING.

\*\*\*ABOVE CEILING/SOFFIT MOUNTED SHUTTERS ARE USUALLY MOUNTED INSIDE A CAVITY ABOVE THE CEILING OR SOFFIT. AN ACCESS PANEL WILL HAVE TO BE PROVIDED TO ENABLE INSTALLATION AND SERVICE. THE OPTIONAL NON ROTATING COVER ALLOWS EASIER ACCESS INSIDE THE ACCESS PANEL IN SOME INSTALLATIONS. CONTACT ROLLAC FOR MORE DETAILS.

\*\*OPERATOR DETAILS TO BE SPECIFIED DURING DETAILED PLANNING.



<p>Copyright © 2017 Rollac V2.28.2017</p> <p>ROLLAC ROLLING SHUTTERS 5331 W. ORANGE ST. PEARLAND, TX 77581 TEL: 281-485-1911 WWW.ROLLAC.COM</p>	NAME	DATE	PROJECT:	
	DRAWN	TRAVIS E.	2017/03/27	DESCRIPTION: SYSTEM SPECIFICATION SHEETS FOR RLL55X SHUTTER SYSTEM.
	CHECKED	STEFAN P.	2017/03/27	
	APPR.		YYYY/MM/DD	
UNLESS OTHERWISE SPECIFIED DIMENSIONS ARE IN INCHES				
ANGLES	.X ± .5	.XX ± .1	.XXX ± .03	.XXX ± .005
THIRD ANGLE PROJECTION		SIZE DWG. NO. <b>A</b>	<b>RLL55X</b>	REV <b>A</b>
		SCALE: NONE	WEIGHT: XX.XLBS	7 OF 15

## Recommended Fastener - Schedule RLL55X

Substrate	Type of Screw	Commonly Used	Minimum Embedment (E.D.)	Minimum Edge Distance	Screw Hole Spacing
Wood Framing	#14 Wood or Lag Screw Pan Head, Phillips	Wood Screw #14 Stainless Steel, Pan Head, Phillips STUCCO: #14 x 3*, FIBER CEMENT BOARD: #14 x 3 BRICK-VENEER: #14 x 4 (Screw length depends on brick size and distance to wood framing)	1.5" Threaded Penetration to Existing Wood Stud	2" Edge Distance	<u>Drill hole Spacing:</u> 12" Approximately every 12" or less starting 4" from the bottom up to 4" from the top.  <u>Drill hole Size:</u>
Concrete	#14 Screw Pan Head, Phillips with S7 Fisher Anchor or Plug	#14 X 2" screw with Fisher S7 Anchor or Plug Please.	Follow the installation instructions on the Fisher Plug but we recommend the embedment to be around 1.75" Minimum.	3" Edge Distance	The Standard Recommended Drill hole is $\frac{1}{4}$ ". Rollac will do a step drill with $\frac{1}{2}$ " entry and $\frac{1}{4}$ " exit hole. This type of drill will fit all #14 screws.
Aluminum / Build Out / Angles	#14 TEK Screw Pan Head, Phillips	#14 X 1 Self Drilling PP SS TEK (TEK = Self Drilling)	n.a.	n.a.	Please advise if other screws, such as Tapcon Anchors, are used as it will change the drill size..
Red Iron	TEKS 5 Screws #12 ** Hexagon Head, Phillips	#12	n.a.	n.a.	
Commercial Aluminum Studs	TEKS 5 Screws #12 ** Hexagon Head, Phillips	#12	n.a.	n.a.	

### For Installation according to Hurricane Code like TDI or FBC \*\*\*

Substrate	Type of Screw	Commonly Used	Minimum Recommended Embedment.	Recommended Edge Distance	Drill Spacing and Rail Hole Size.
Wood Framing	$\frac{1}{4}$ " Diameter	#14 x 4". See Engineering for more Details.	1.5" Threaded Penetration to Existing Wood Stud. See Engineering for more details.	2" Edge Distance	Standard $\frac{1}{4}$ " hole. Drill hole spacing is typically 6" O.C. For exact details see drill hold spacing schedule within engineering.
Poured Concrete (For Concrete Block Wall see engineering).	$\frac{1}{4}$ " Tapcon Anchor as manufactured by ITW Buildex.	$\frac{5}{16}$ " x 2.75" Tapcon XL Anchors	1.75" Minimum Embedment into concrete. See Engineering for details.	3" Edge Distance. See Engineering for details.	<u>REQUIRES <math>\frac{3}{16}</math>" drill hole.</u> Drill hole spacing is typically 6" O.C. For exact details see drill hold spacing schedule within engineering.
Installation on Aluminum/ Build Out.	$\frac{1}{4}$ " TEK Screw Pan Head, Phillips	#14 X 1 Self Drilling PP SS TEK (TEK = Self Drilling)	n.a.	n.a.	Standard $\frac{1}{4}$ " hole. Drill hole spacing is typically 6" O.C. For exact details see drill hold spacing schedule within engineering.

\* No embedment into stucco shall be considered as part of the required embedment

\*\* Screw shall not be made out of stainless steel as material is too soft to drill into a steel structure. Use other corrosion resistant material

\*\*\* Fastener Schedule applies to face mount only. For other installation techniques, see engineering.

Installation contractor is to seal/caulk all shutter component edges which remain in continuous contact with the building to prevent wind / rain intrusion. Caulk and seal shutter tracks all around full length.

**Disclaimer: It is the responsibility of the installer to verify that the surface and structure is suitable to install a rolling shutter. Fastener schedule is a recommendation. Installer to verify that rolling shutter is securely fastened.**

**Choose Corrosion Resistant Material that is appropriate for the environment in which the product is being installed. Choose appropriate screw length to meet minimum embedment.**



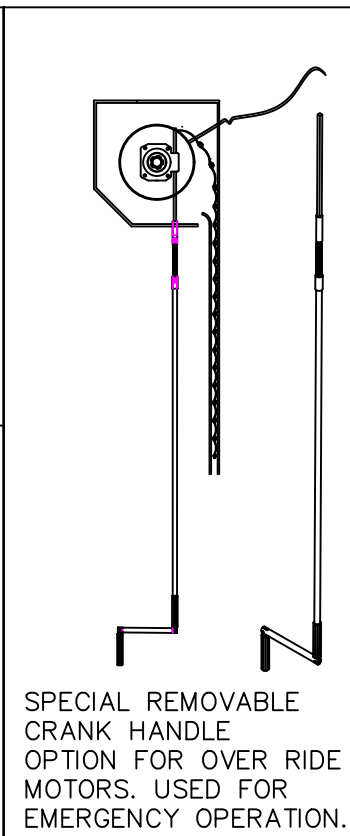
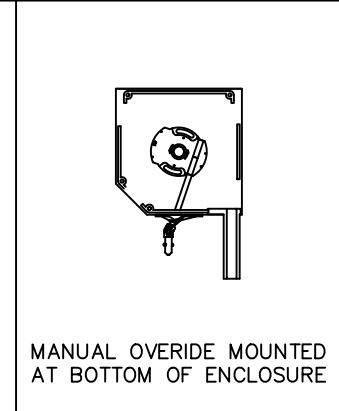
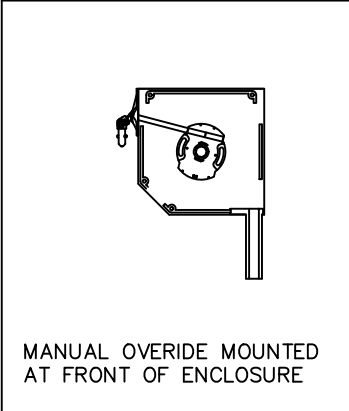
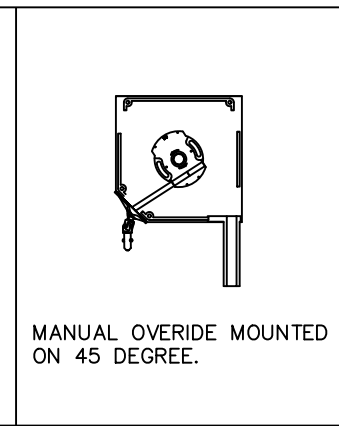
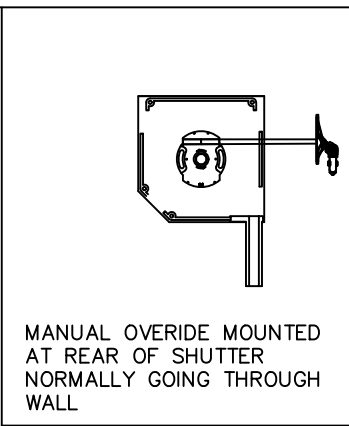
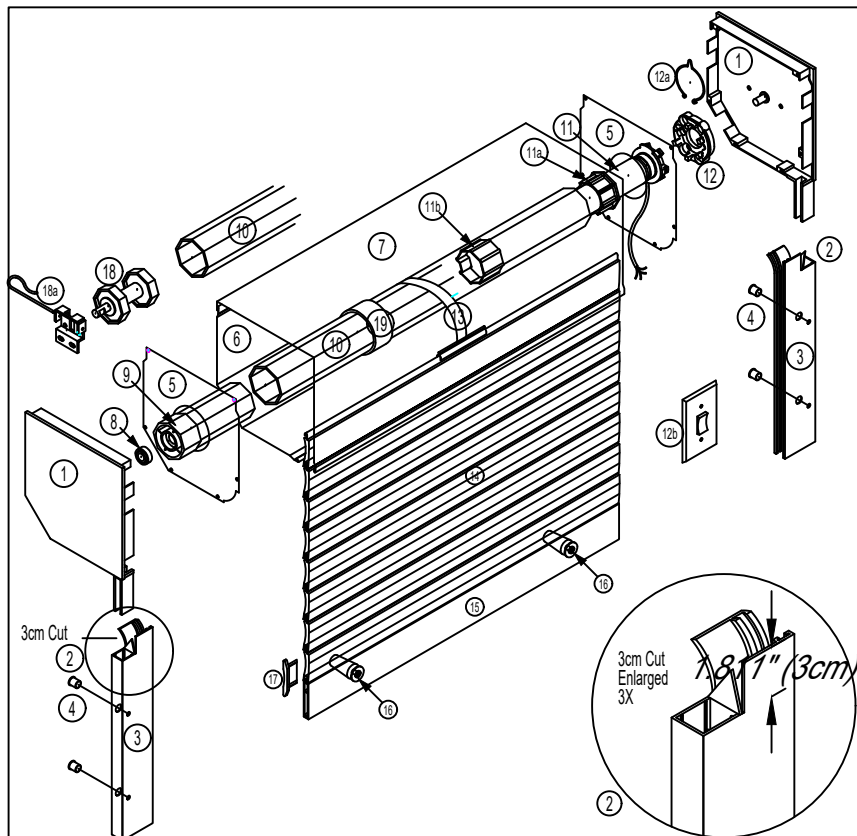
Copyright © 2017 Rollac  
V2.28.2017

ROLLAC ROLLING SHUTTERS  
5331 W. ORANGE ST.  
PEARLAND, TX 77581  
TEL: 281-485-1911  
WWW.ROLLAC.COM

NAME	DATE
DRAWN TRAVIS E.	2017/03/27
CHECKED STEFAN P.	2017/03/27
APPR.	YYYY/MM/DD
UNLESS OTHERWISE SPECIFIED DIMENSIONS ARE IN INCHES	
ANGLES	.X .XX .XXX
± .5 ± .1 ± .03 ± .005	
 THIRD ANGLE PROJECTION	

PROJECT:
DESCRIPTION: SYSTEM SPECIFICATION SHEETS FOR RLL55X SHUTTER SYSTEM.
SIZE DWG. NO. <b>A</b> <b>RLL55X</b> <b>A</b>
SCALE: NONE   WEIGHT: XX.XLBS   8 OF 15

MOTORIZED ROLLING SHUTTER MANUAL OVERRIDE OPTIONS.



- ① Side/End Cap
- ② 3cm Cut
- ③ Guide Rail With 3cm Cut
- ④ Plug Button
- ⑤ Safety Plate
- ⑥ Housing (Front/Bottom) 6"-10"
- ⑦ Housing (Top/Back) 6"-10"
- ⑧ Ball Bearing
- ⑨ Idler Insert (PVC)
- ⑩ 60/70 mm Axle (Galvanized/Aluminum)
- ⑪ Tubular Motor
- ⑪a Crown
- ⑪b Drive
- ⑫ Motor Bracket
- ⑫a Spring Ring
- ⑫b Switch
- ⑬ Springlock Hanger
- ⑭ RLL55X Slats
- ⑮ Base Slat
- ⑯ Exterior Nylon Stop
- ⑰ Side Lock
- ⑱ Idler (PVC)
- ⑱a Idler Bracket (Steel)
- ⑱b Axle Ring - PVC or Alum. (Optional)

SecuraMax RLL55X Engaged System - MOTOR OPERATED  
 Copyright © 2017 by Rollac Rolling Shutters

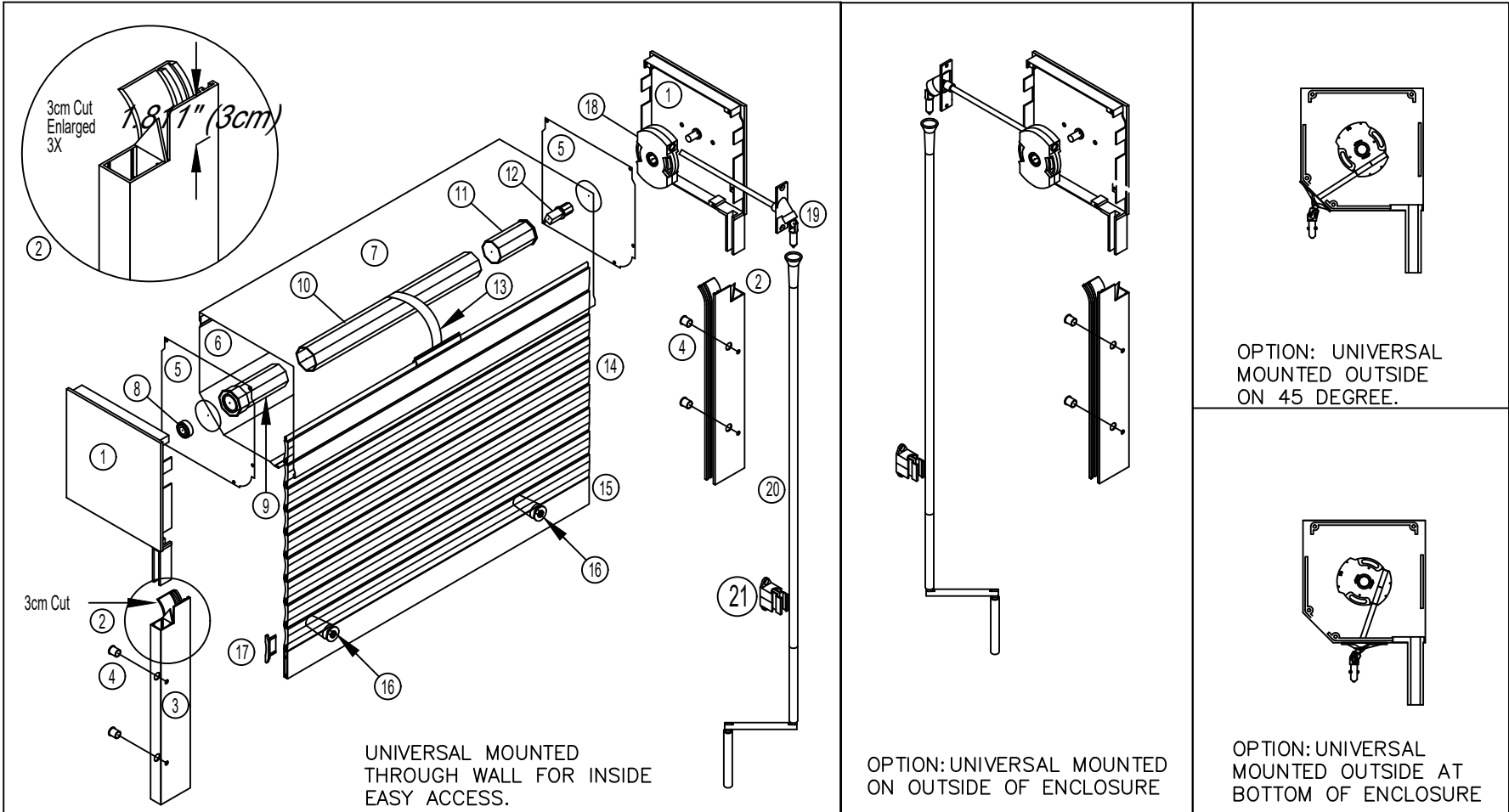
**ROLLAC**

Copyright © 2017 Rollac  
 V2.28-2017

ROLLAC ROLLING SHUTTERS  
 5331 W. ORANGE ST.  
 PEARLAND, TX 77581  
 TEL: 281-485-1911  
 WWW.ROLLAC.COM

NAME	DATE	PROJECT:
DRAWN TRAVIS E.	2017/03/27	
CHECKED STEFAN P.	2017/03/27	DESCRIPTION:
APPR.	YYYY/MM/DD	SYSTEM SPECIFICATION SHEETS FOR RLL55X SHUTTER SYSTEM.
UNLESS OTHERWISE SPECIFIED DIMENSIONS ARE IN INCHES		
ANGLES	.X .XX .XXX	
± .5 ± .1 ± .03 ± .005		
THIRD ANGLE PROJECTION	SIZE DWG. NO.	REV
	A RLL55X	A
	SCALE: NONE	WEIGHT: XX.XLBS
		9 OF 15

# ROLLING SHUTTER GEAR OPERATED OPTIONS



UNIVERSAL MOUNTED THROUGH WALL FOR INSIDE EASY ACCESS.

OPTION: UNIVERSAL MOUNTED ON OUTSIDE OF ENCLOSURE

OPTION: UNIVERSAL MOUNTED OUTSIDE ON 45 DEGREE.

OPTION: UNIVERSAL MOUNTED OUTSIDE AT BOTTOM OF ENCLOSURE

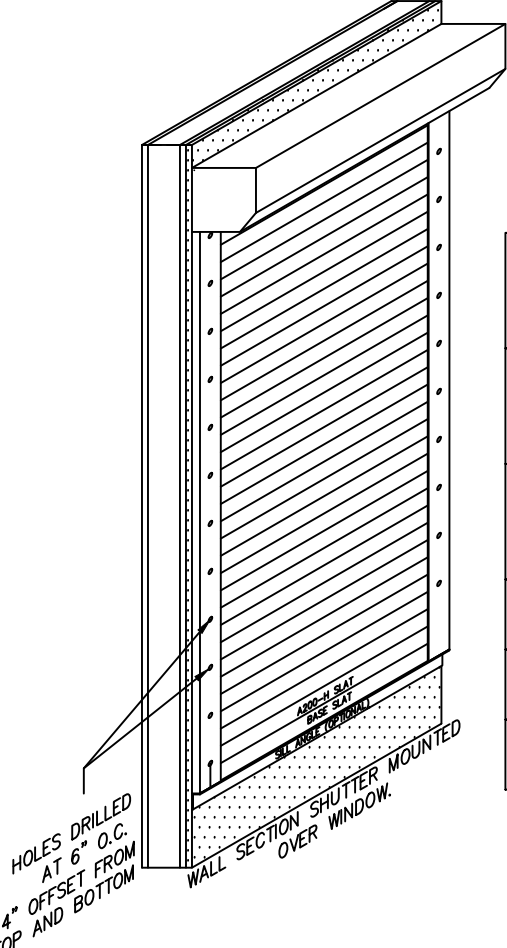
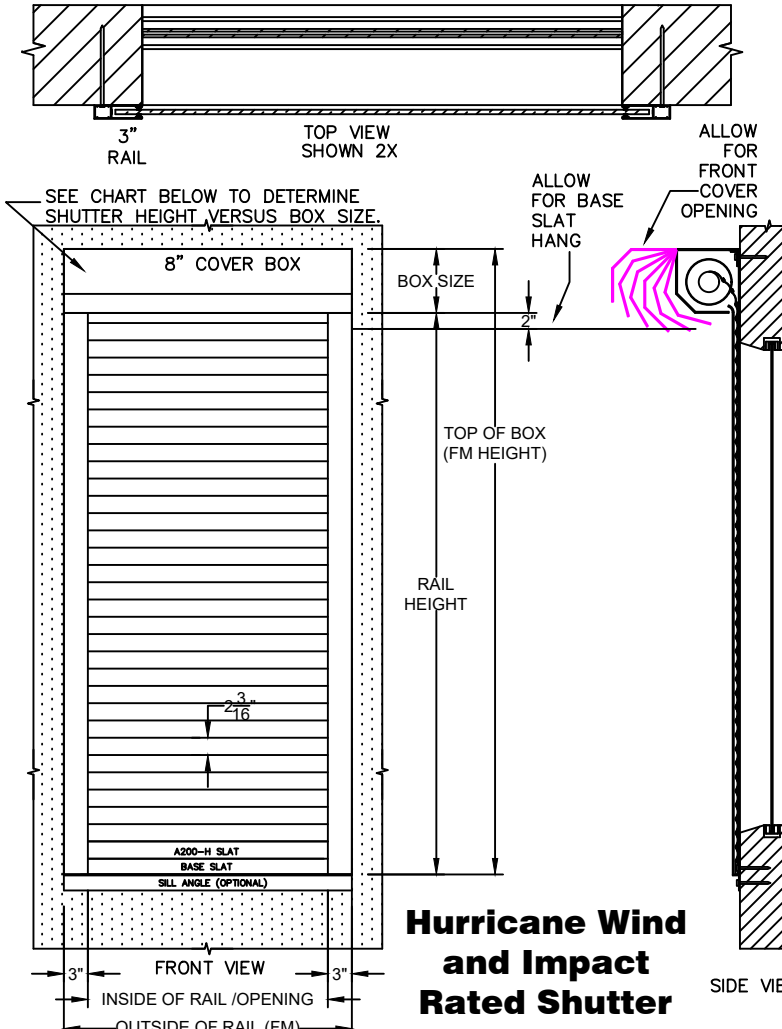
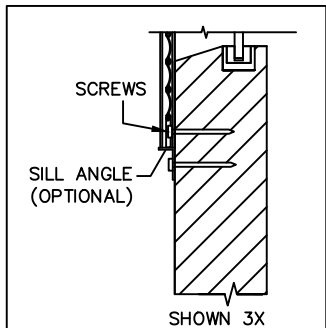
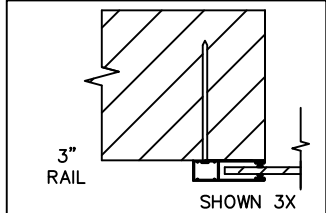
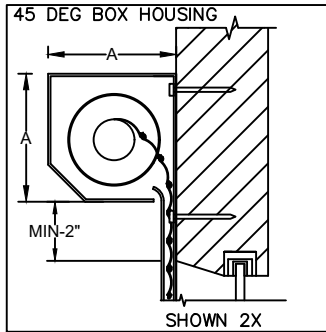
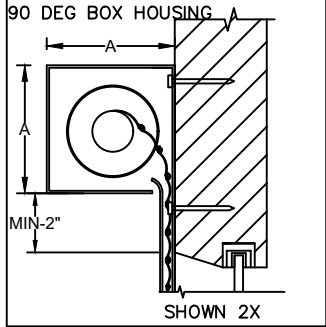
- ① Side/End Cap
- ② 3cm Cut
- ③ Guide Rail With 3cm Cut
- ④ Plug Button
- ⑤ Safety Plate
- ⑥ Housing (Front/Bottom) 6"-10"
- ⑦ Housing (Top/Back) 6"-10"
- ⑧ Ball Bearing
- ⑨ Idler Insert (PVC)
- ⑩ 40/60 mm Axle (Galvanized/Aluminum)
- ⑪ Gear Insert
- ⑫ Gear Connector
- ⑬ Springlock Hanger
- ⑭ RLL55X Slats
- ⑮ Base Slat
- ⑯ Exterior Nylon Stop
- ⑰ Side Lock
- ⑱ Gear
- ⑲ Universal
- ⑳ Crank Handle
- ㉑ Crank Holder (Optional)

SecuraMax RLL55X Engaged System- GEAR OPERATED  
 Copyright © 2017 by Rollac Rolling Shutters

<b>ROLLAC</b>		NAME	DATE	PROJECT:								
DRAWN	TRAVIS E.	2017/03/27										
CHECKED	STEFAN P.	2017/03/27										
APPR.		YYYY/MM/DD										
UNLESS OTHERWISE SPECIFIED DIMENSIONS ARE IN INCHES				DESCRIPTION:								
<table border="1"> <tr> <td>ANGLES</td> <td>.X</td> <td>.XX</td> <td>.XXX</td> </tr> <tr> <td>± .5</td> <td>± .1</td> <td>± .03</td> <td>± .005</td> </tr> </table>				ANGLES	.X	.XX	.XXX	± .5	± .1	± .03	± .005	SYSTEM SPECIFICATION SHEETS FOR RLL55X SHUTTER SYSTEM.
ANGLES	.X	.XX	.XXX									
± .5	± .1	± .03	± .005									
Copyright © 2017 Rollac V2.28.2017				SIZE DWG. NO.								
ROLLAC ROLLING SHUTTERS 5331 W. ORANGE ST. PEARLAND, TX 77581 TEL: 281-485-1911 WWW.ROLLAC.COM				REV								
		<table border="1"> <tr> <td>A</td> <td>RLL55X</td> <td>A</td> </tr> </table>		A	RLL55X	A	SCALE: NONE WEIGHT: XX.XLBS 10 OF 15					
A	RLL55X	A										



**INSTALLATION DETAILS**



SecuraSure A200H SYSTEM?????

RECOMMENDED MAXIMUM OPENING MANUAL 2'-10' MOTOR 3'-14'
RECOMMENDED MAXIMUM HEIGHT MANUAL 2'-10' MOTOR 2'-12.5'
RECOMMENDED MAXIMUM USAGE SQ FT MANUAL 95 MOTOR 180
CURTAIN WEIGHT 1.72 lbs./sq ft.
PROFILE HEIGHT 2.17"
SYSTEM WEIGHT 2X CURTAIN WEIGHT

**APPLICATIONS FOR THE SecuraSure A200H Heavy Duty SYSTEM**

RESIDENTIAL/COMMERCIAL SECURITY  
SOLAR SHADING  
HURRICANE PROTECTION

**SecuraSure A200H-Heavy Duty System Specification**

OPERATOR OPTIONS; GEAR MOTOR MOTOR/OVERRIDE

**WIND AND IMPACT RATED**  
**MIAMI DADE COUNTY NOA 15-0414.16**  
**FLORIHDA BUILDING CODE FL16135.2**  
**TEXAS DEPARTMENT OF INSURANCE SHU 63**  
**INTERNATIONAL BUILDING CODE**

**SecuraSure A200H Heavy Duty System - Housing Size(A) Versus FM Height of Shutter.**

A200	FM Height ft.	2.5	3	3.5	4	4.5	5	5.5	6	6.5	7	7.5	8	8.5	9	9.5	10	10.5	11	11.5	12	12.5	
	Housing Size(A) in.	7	7	8	8	8	9	9	9	10	10	10	10	12	12	12	12	12	12	12	12	12	12

**ROLLAC**

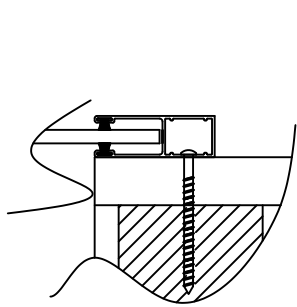
Copyright © 2017 Rollac V2.28.2017

ROLLAC ROLLING SHUTTERS  
5331 W. ORANGE ST.  
PEARLAND, TX 77581  
TEL: 281-485-1911  
WWW.ROLLAC.COM

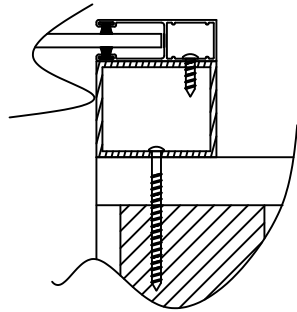
NAME	DATE	PROJECT:
DRAWN TRAVIS E.	2017/03/27	
CHECKED STEFAN P.	2017/03/27	DESCRIPTION:
APPR. YYYYY/MM/DD		SYSTEM SPECIFICATION SHEETS FOR RLL55X SHUTTER SYSTEM.
UNLESS OTHERWISE SPECIFIED DIMENSIONS ARE IN INCHES		
ANGLES	.X ± .5	.XX ± .03
	.XXX ± .005	
THIRD ANGLE PROJECTION	SIZE DWG. NO. <b>A</b>	REV <b>A</b>
	SCALE: NONE	WEIGHT: XX.XLBS
		11 OF 15

Copyright © 2017 Rollac

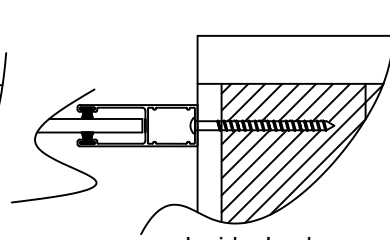
# STANDARD RAIL MOUNTING OPTIONS



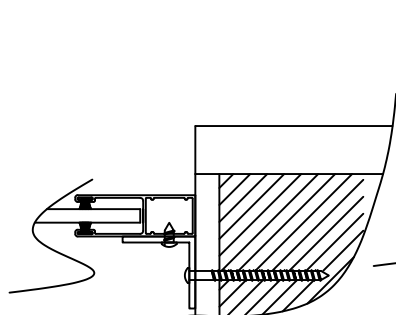
Flush Mount  
"A" Type Rails



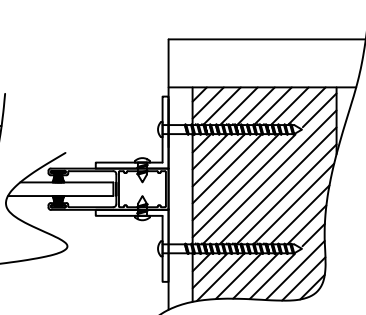
Build Out Mount  
"A" Type Rails



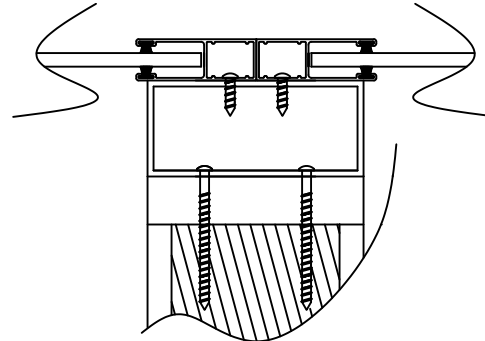
Inside Jamb  
Throat Drill Mount  
"A" Type Rails



Inside Jamb  
"A" Type Rails  
Angle Attachment

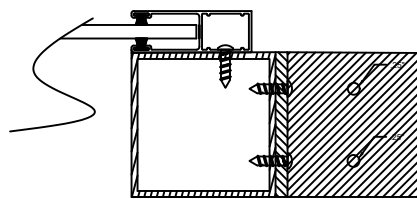


Inside Jamb Mount  
"A" Type Rails  
Dual Angle Attachment

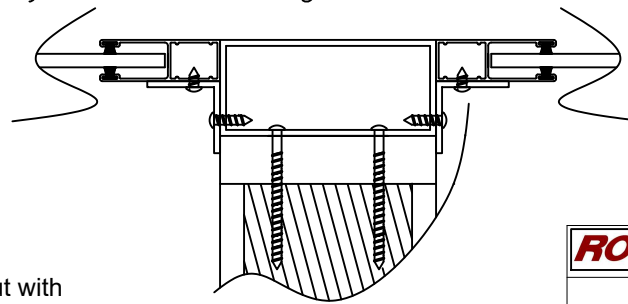


Build Out Mount  
Two "A" Type Rails

Copyright © 2017 by Rollac Rolling Shutters



3 Inch X 3 Inch Clip.  
Mounted to 3 Inch X 3 inch Build Out with rails attached. Use one clip at floor and ceiling for each rail to mount shutter when no other mounting options are available. Other sizes are available.



Mount Two "A" Type Rails  
Flush On Build Out With Angles

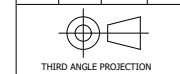


Copyright © 2017 Rollac  
V2.28.2017  
ROLLAC ROLLING SHUTTERS  
5331 W. ORANGE ST.  
PEARLAND, TX 77581  
TEL: 281-485-1911  
WWW.ROLLAC.COM

DRAWN	NAME	DATE
CHECKED	STEFAN P.	2017/03/27
APPR.		YYYY/MM/DD

UNLESS OTHERWISE SPECIFIED  
DIMENSIONS ARE IN INCHES

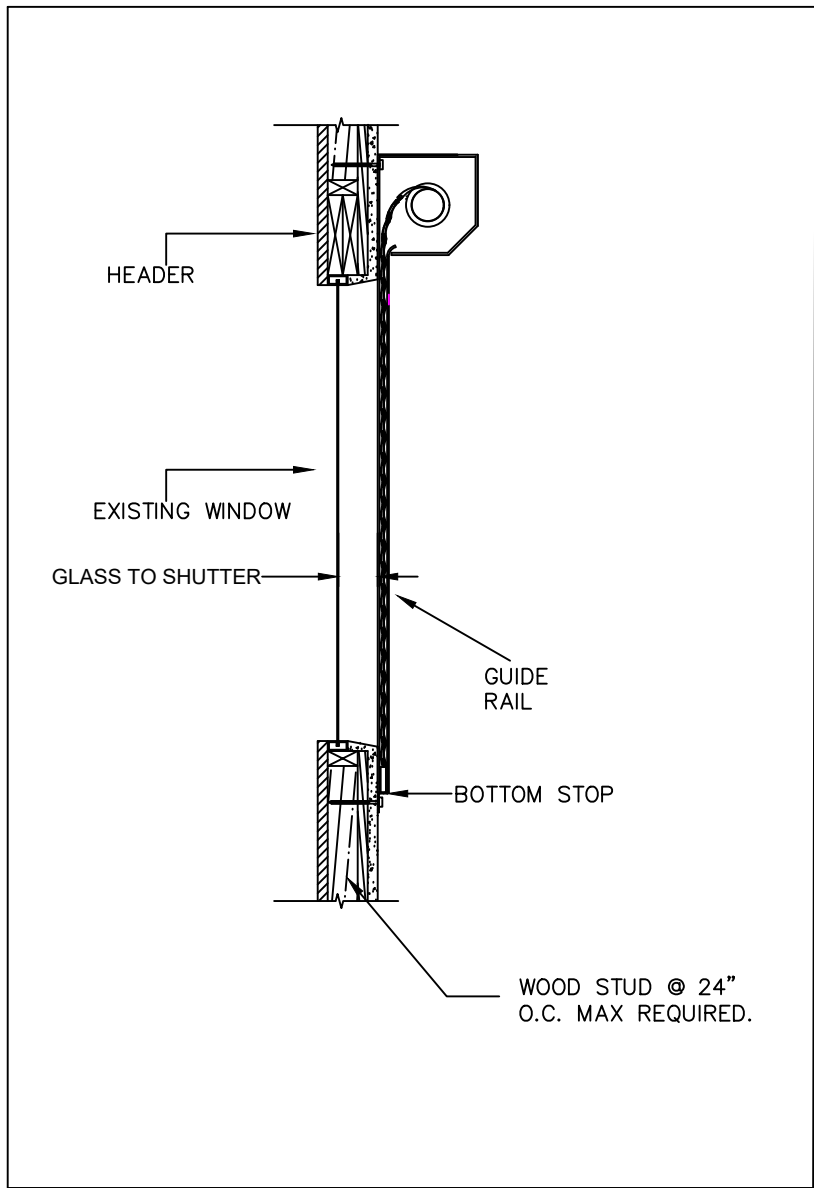
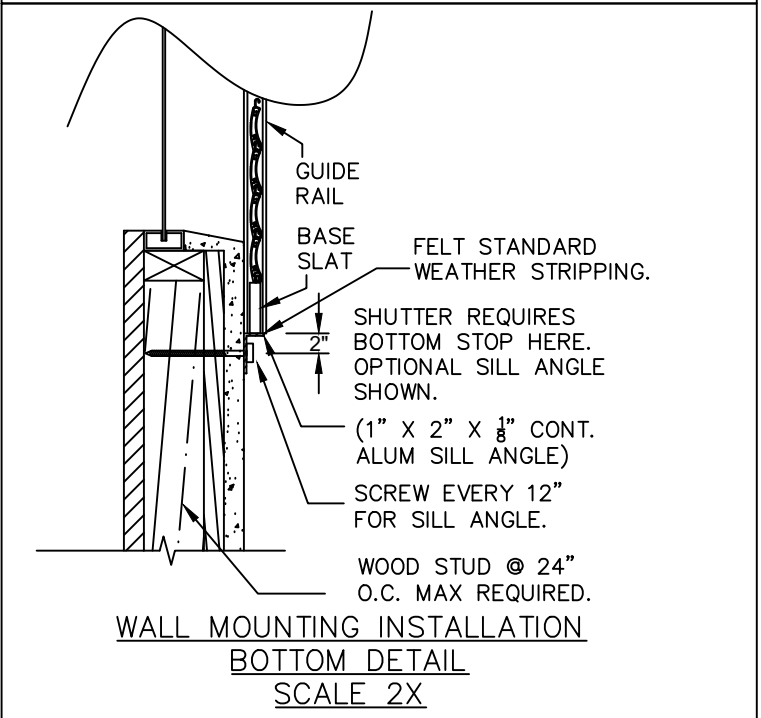
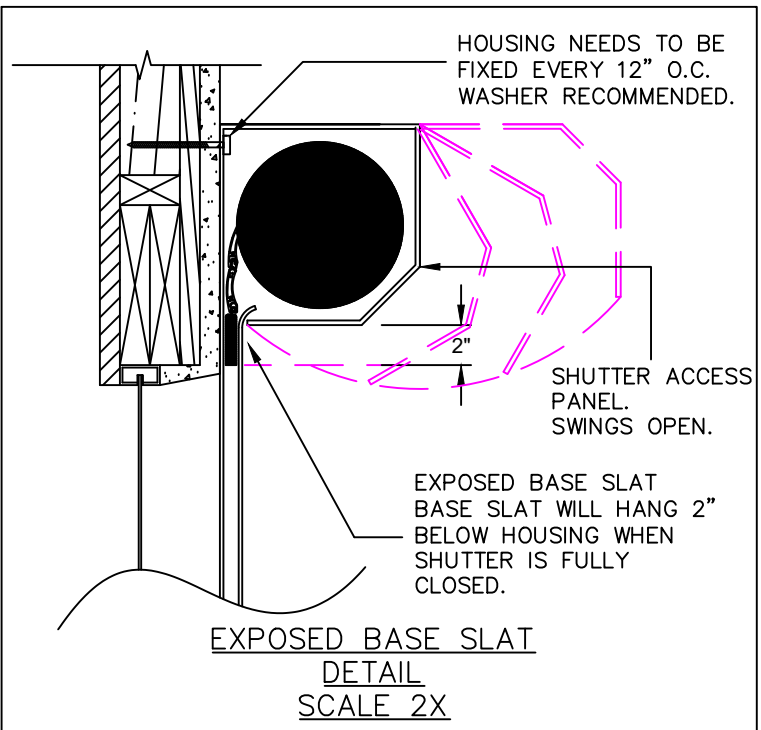
ANGLES	.X	.XX	.XXX
	± .5	± .1	± .03 ± .005



PROJECT:

DESCRIPTION:  
SYSTEM SPECIFICATION SHEETS FOR  
ROLL55X SHUTTER SYSTEM.

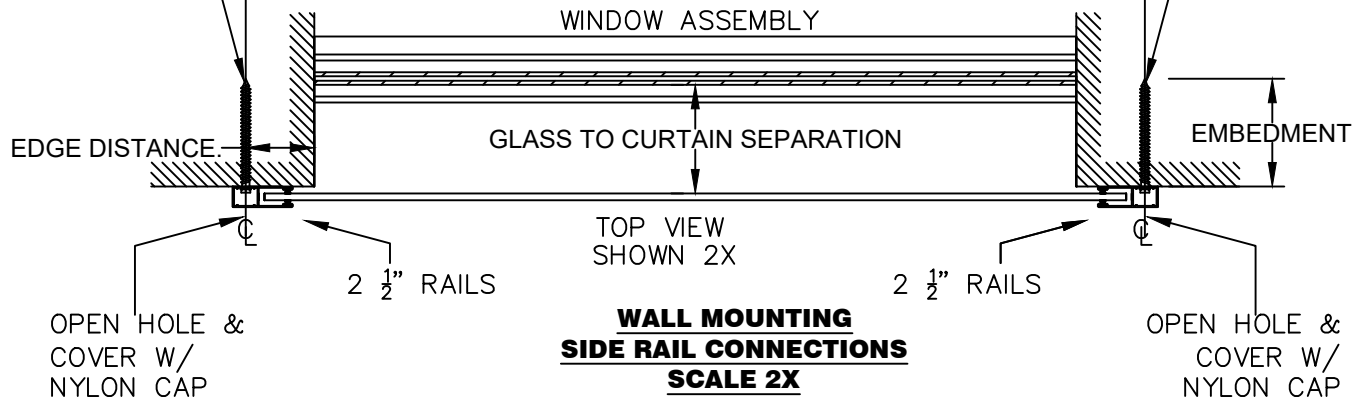
SIZE DWG. NO.	REV
<b>A</b>	<b>A</b>
SCALE: NONE	WEIGHT: XX.XLBS
12 OF 15	



<b>ROLLAC</b>		NAME	DATE	PROJECT:
DRAWN	TRAVIS E.	2017/03/27		
CHECKED	STEFAN P.	2017/03/27		DESCRIPTION:
APPR.		YYYY/MM/DD		SYSTEM SPECIFICATION SHEETS FOR RLL55X SHUTTER SYSTEM.
UNLESS OTHERWISE SPECIFIED DIMENSIONS ARE IN INCHES				
ANGLES	.X	.XX	.XXX	
± .5	± .1	± .03	± .005	
Copyright © 2017 Rollac V2.28.2017				
ROLLAC ROLLING SHUTTERS 5331 W. ORANGE ST. PEARLAND, TX 77581 TEL: 281-485-1911 WWW.ROLLAC.COM				
THIRD ANGLE PROJECTION			SIZE DWG. NO.	REV
			<b>A</b>	<b>RLL55X</b>
			SCALE: NONE	WEIGHT: XX.XLBS
				13 OF 15

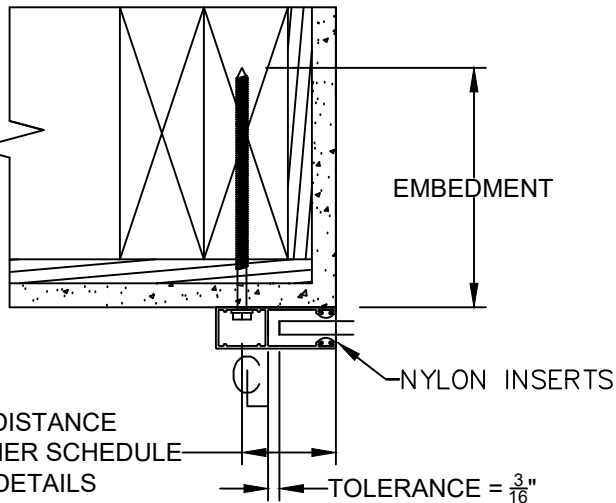
(SEE FASTENER SCHEDULE FOR SCREW TYPE AND SPACING)

(SEE FASTENER SCHEDULE FOR SCREW TYPE AND SPACING)

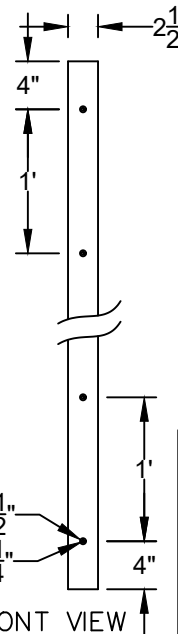


2 1/2" RAILS

EDGE DISTANCE  
SEE FASTENER SCHEDULE  
FOR DETAILS



**WALL MOUNTING  
SIDE RAIL CONNECTIONS  
TO WOOD CONSTRUCTION WALL  
SCALE 2X**



RAIL DETAIL—STANDARD RAIL

RAIL HOLES ARE SPACED ABOUT 12" APART BEGINNING 4" FROM TOP AND BOTTOM. THE OUTSIDE HOLE IS 1/2" AND THE INSIDE HOLE IS 1/4" STANDARD. NYLON CAPS WILL BE PROVIDED FOR COVERING THE HOLES AFTER INSTALLATION.

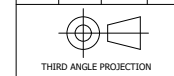
Copyright © 2017 Rollac



Copyright © 2017 Rollac  
V2.28.2017  
ROLLAC ROLLING SHUTTERS  
5331 W. ORANGE ST.  
PEARLAND, TX 77581  
TEL: 281-485-1911  
WWW.ROLLAC.COM

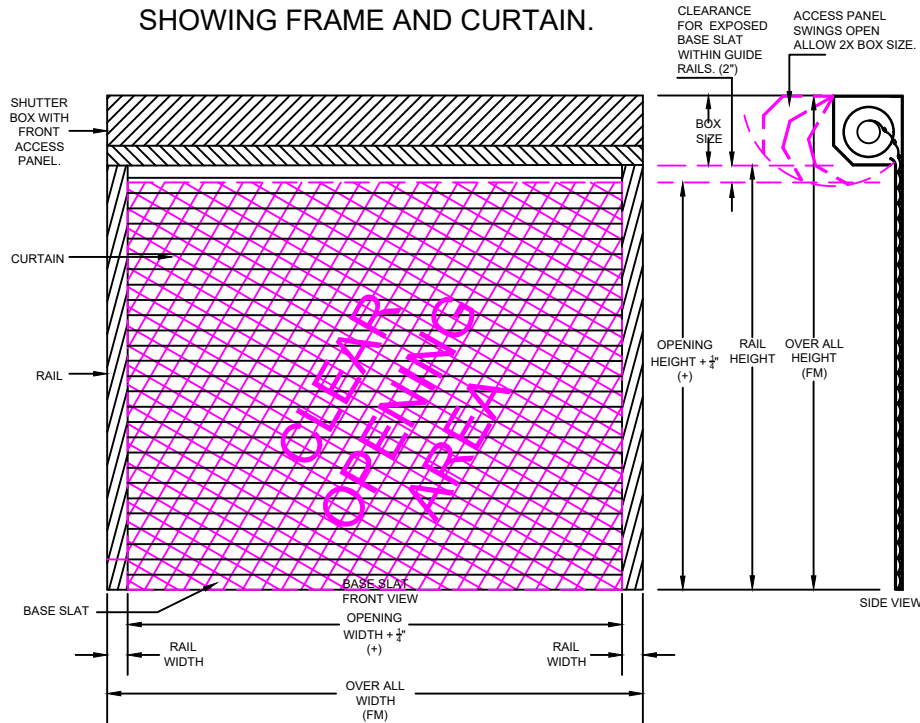
DRAWN	TRAVIS E.	2017/03/27
CHECKED	STEFAN P.	2017/03/27
APPR.		YYYY/MM/DD
UNLESS OTHERWISE SPECIFIED DIMENSIONS ARE IN INCHES		
ANGLES	.X ± .5	.XX ± .1
	.XXX ± .03	.XXX ± .005

PROJECT:		
DESCRIPTION:	SYSTEM SPECIFICATION SHEETS FOR RLL55X SHUTTER SYSTEM.	
SIZE DWG. NO.	A	REV A
SCALE:	NONE	WEIGHT: XX.XLBS
		14 OF 15



# COMMON TERMS USED FOR ROLLING SHUTTERS

## MEASUREMENT AND PLANNING GUIDE FOR ROLLING SHUTTERS SHOWING FRAME AND CURTAIN.



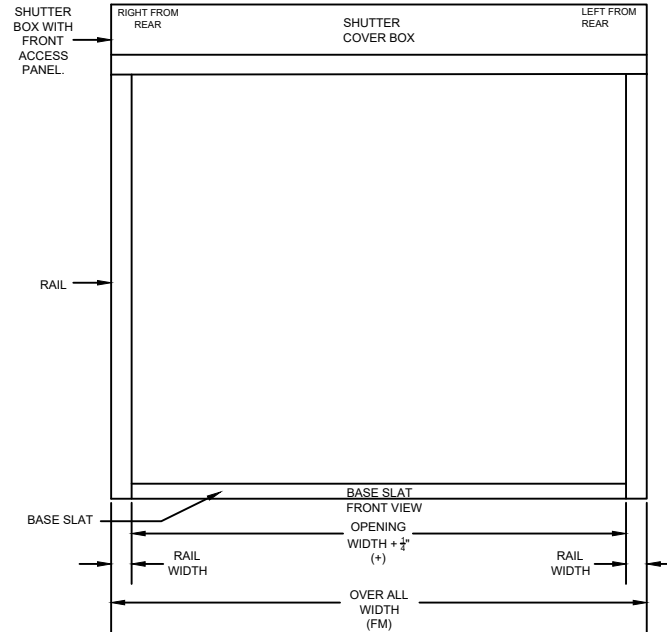
### Measuring for rolling shutters is easy once you know what issues to consider

- 1) Consider the way a rolling shutter will need to be installed. Is the area free of obstruction or will you need to fit the shutter within a certain space?  
The answer to this question will tell you whether you should use a plus (+) measurement or FM measurement.
- 2) Consider the height of the shutter. The taller the shutter, the larger the box size. In addition to the added height for the box, some space should be allowed for the base slat of a fully open shutter in order to keep the view from inside unobstructed.
- 3) Consider the width of the shutter. Adding either 5 inches for mini rails or 6 inches for maxi rails is a good general rule to follow. Keep in mind, however, that this is only a guideline, and technical changes may be made when necessary.
- 4) Consider how power is supplied to the shutter and the location of any control switches. Consider Tape or Crank placement if manual.

If you have any questions about this measuring and planning guideline, please don't hesitate to contact us at (281)485-1911 or at Sales@rollac.com.

# SHUTTER SYSTEM FRAME

## SHUTTER SYSTEM FRAME

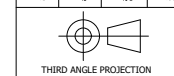


Copyright © 2017 Rollac



Copyright © 2017 Rollac  
V2.28.2017  
ROLLAC ROLLING SHUTTERS  
5331 W. ORANGE ST.  
PEARLAND, TX 77581  
TEL: 281-485-1911  
WWW.ROLLAC.COM

DRAWN	TRAVIS E.	DATE	2017/03/27
CHECKED	STEFAN P.	DATE	2017/03/27
APPR.		DATE	YYYY/MM/DD
UNLESS OTHERWISE SPECIFIED DIMENSIONS ARE IN INCHES			
ANGLES	.X ± .5	.XX ± .1	.XXX ± .005



PROJECT:	
DESCRIPTION: SYSTEM SPECIFICATION SHEETS FOR RLL55X SHUTTER SYSTEM.	
SIZE DWG. NO.	REV
A	A
SCALE: NONE	WEIGHT: XX.XLBS
15 OF 15	



# Experience Technology Higher Standards

Since 1982, Rollac has operated with a vision of quality, service, and modern technology to produce the best possible product for our customers. Each product is custom manufactured for every single job to ensure the best fit and finish. Regardless if you are looking to enhance security, add comfort to a space, or seek protection from the elements, Rollac has the solution for your home or work environment.

**ROLLAC** 

5331 West Orange Street  
Pearland, TX 77581

toll free 1.888.2-ROLLAC  
phone 281.485.1911  
fax 281.485.0839



[www.rollac.com](http://www.rollac.com)